

VieVS User-Workshop 2017

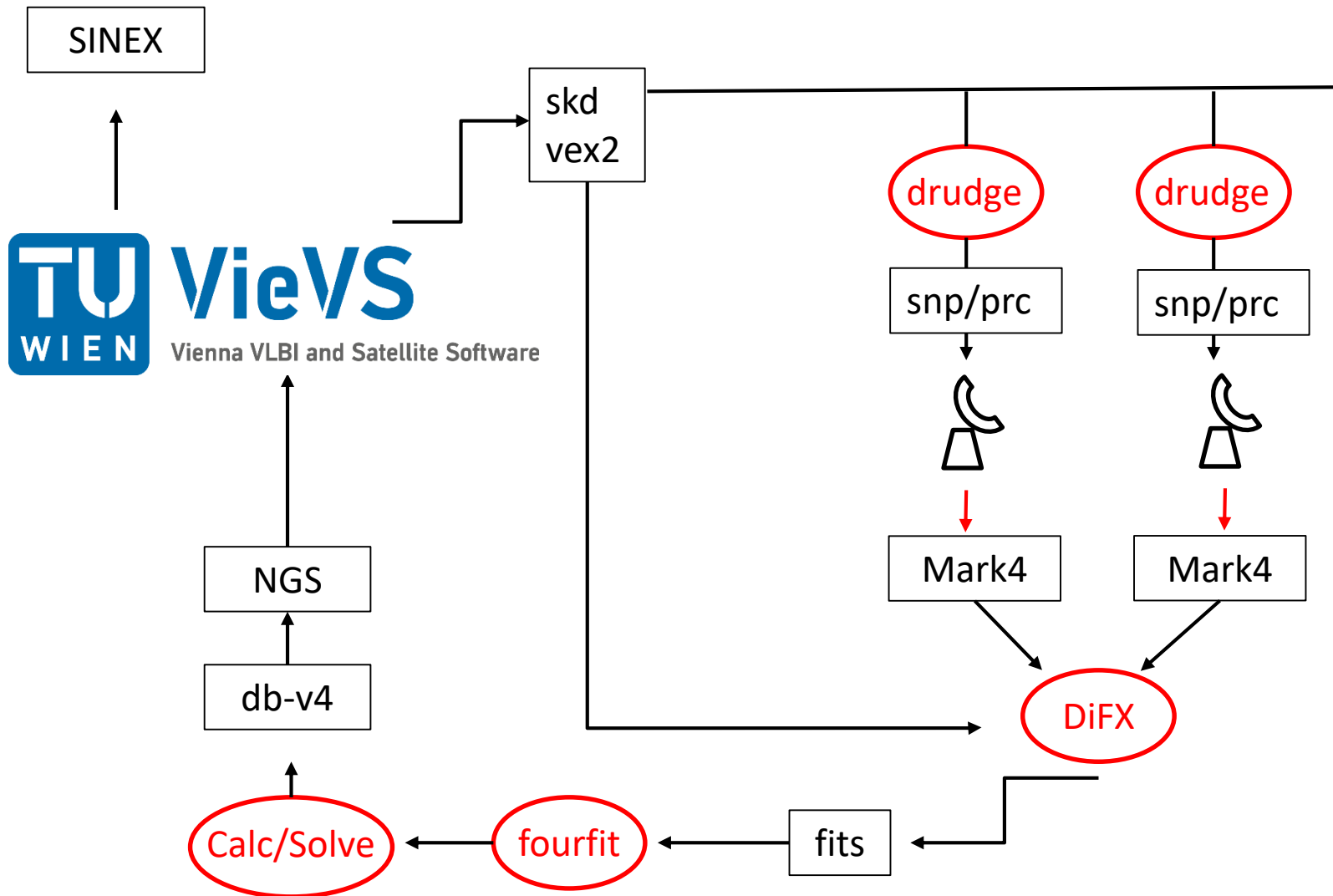
Planned future developments of VieVS

Johannes Böhm

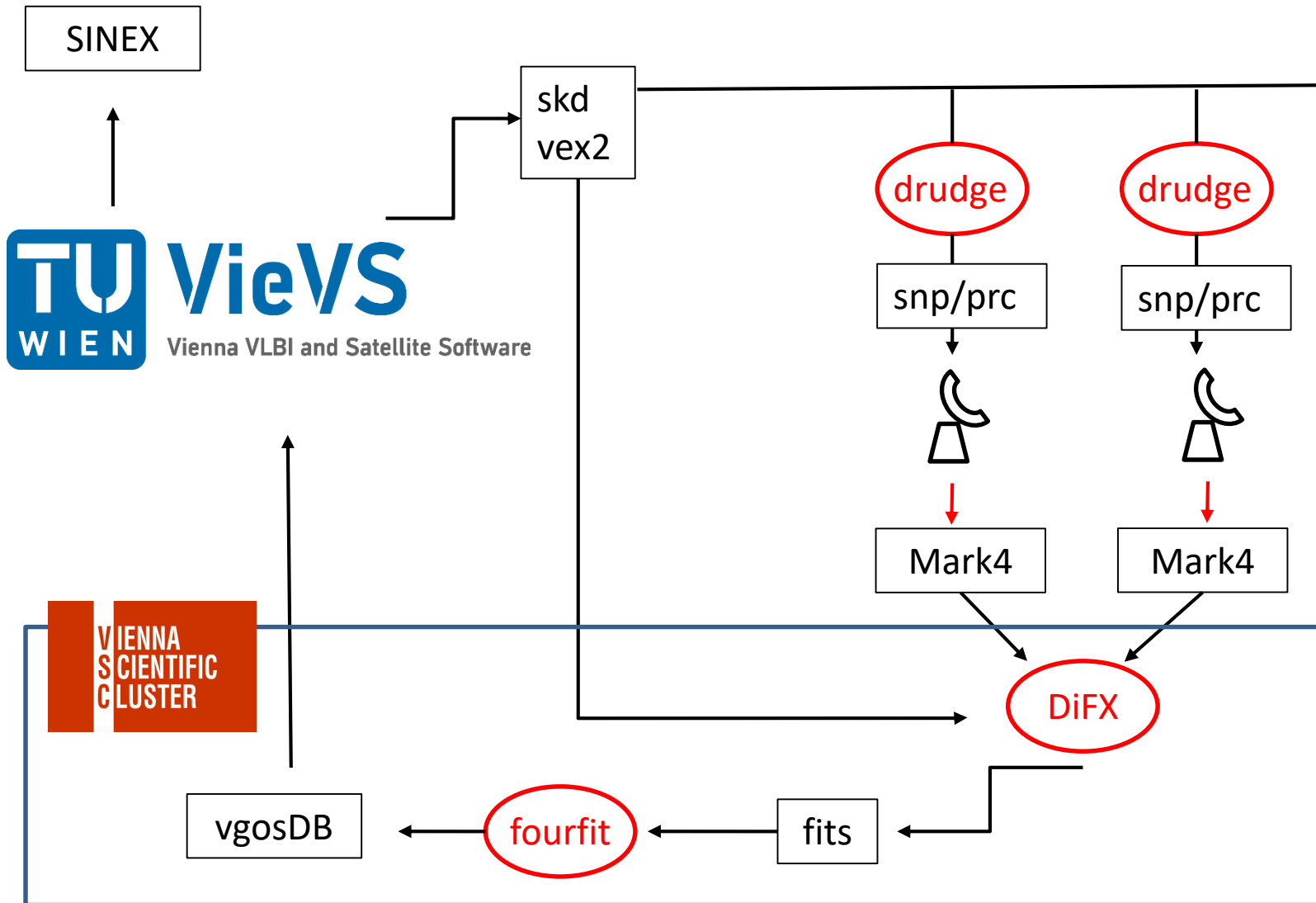


TU Wien
Department of Geodesy and Geoinformation
Research Area Advanced Geodesy

VLBI – a flowchart



VLBI – a flowchart



vgosDB

- Netcdf tools have already been implemented
- Please use the vgosDB tools!
- Of course, a rigorous implementation will have a major impact on vie_init, vie_mod, ..

Group delay ambiguities and ionosphere

- In development ... (Jakob)
- No longer necessary with VGOS (both done by fourfit)

Filter solutions

- Kalman filter or square root information filter ("light") could be tested in diploma thesis

Scheduling

- Are we able to do VGOS scheduling? Or mixing VGOS with legacy antennas?

Sources

- Imaging

